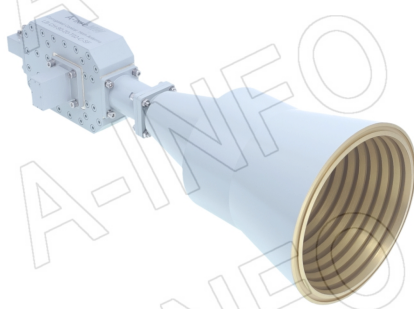


For reference only. See data sheet for the detailed specifications.

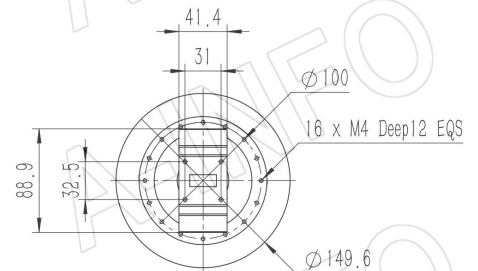
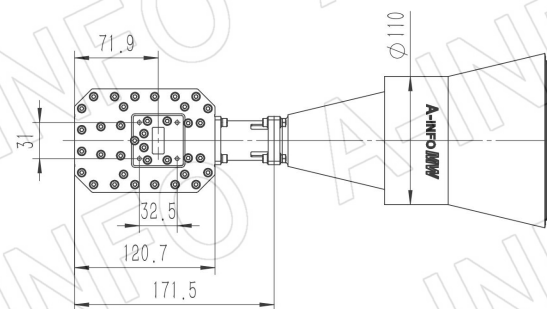
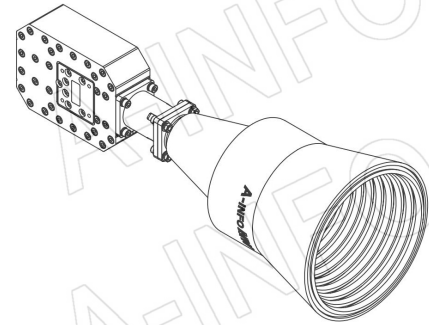
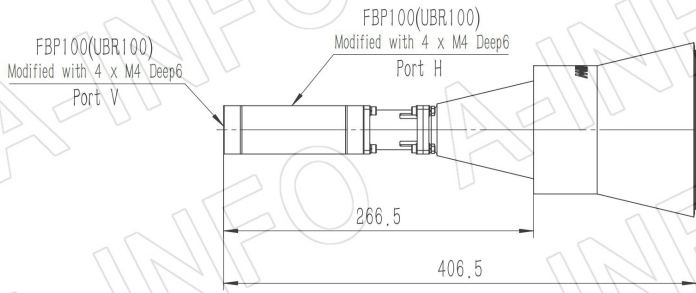
## Technical Specification



Frequency Range(GHz)	8.2 – 12.4
Waveguide	WR90
Gain(dBi)	20 Typ.
Polarization	Dual Linear
3dB Beamwidth(deg)	E Plane: 17 Typ.
	H Plane: 17 Typ.
Cross Pol. Isolation(dB)	45 Typ.
Port to Port Isolation(dB)	55 Typ. ; 45 Min.
VSWR	A Type: 1.50:1 Typ.
	C Type: 1.60:1 Typ.
Output	A Type: FBP100(UBR100) (Modified with 4xM4 D6)
	C Type: SMA-Female or N-Female or TNC-Female or 7mm or 3.5mm-Female
Material	Al
Finish	Silver Plated and Chemical Conversion Coating, Gray Paint
Size(mm)	A Type: 149.6 x 149.6 x 406.5
	C Type: 149.6 x 149.6 x 444.5
Net Weight(Kg)	A Type: 2.50 Around
	C Type: 2.68 Around

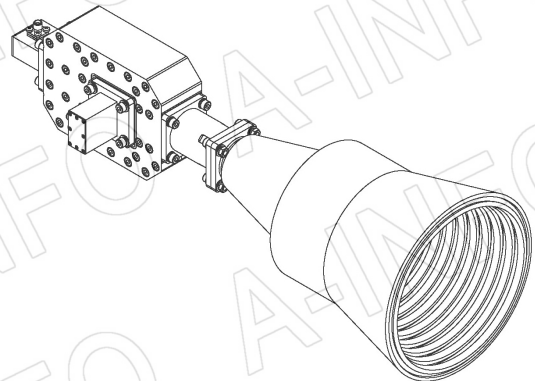
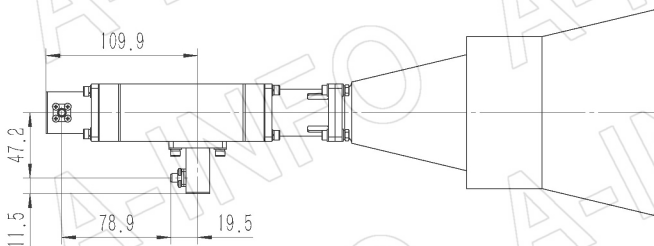
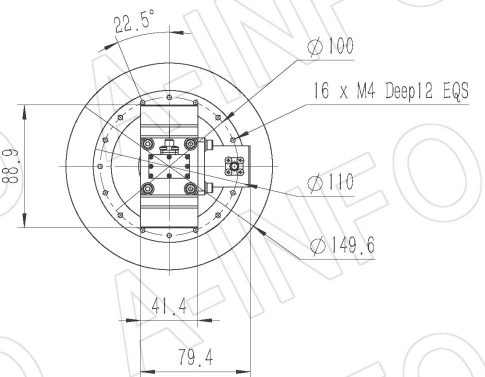
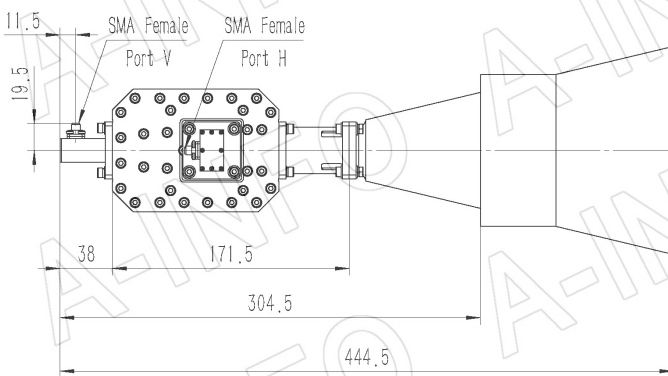
## Outline Drawing (Size: mm)

FBP100 Output (P/N: LB-CH-90-20-T02-A)



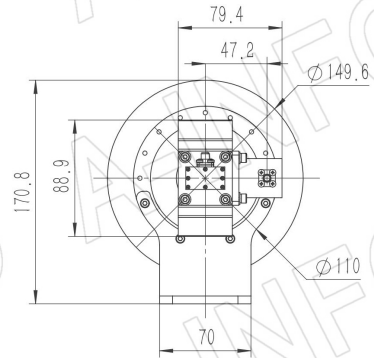
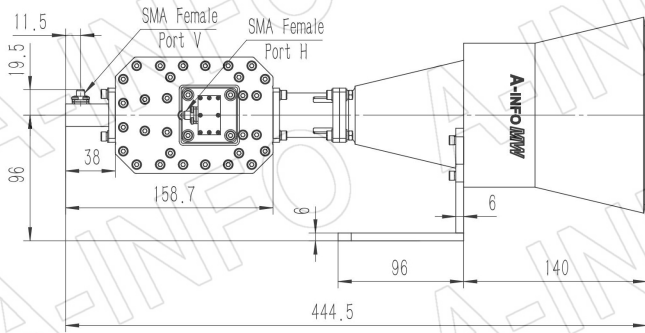
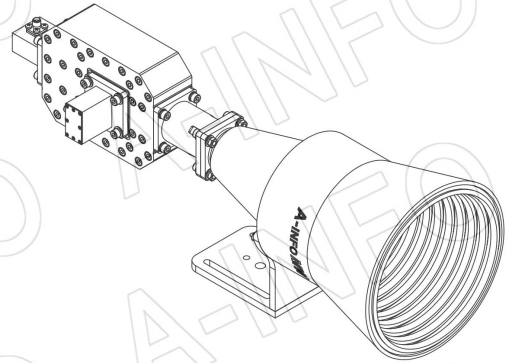
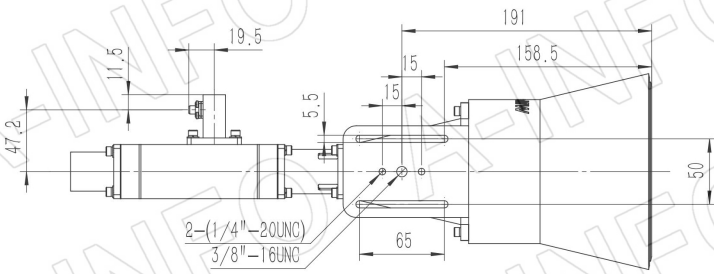
## SMA-Female Output (P/N: LB-CH-90-20-T02-C-SF)

For N-Female, TNC-Female, 7mm or 3.5mm-Female output outline drawing, please contact A-INFO.

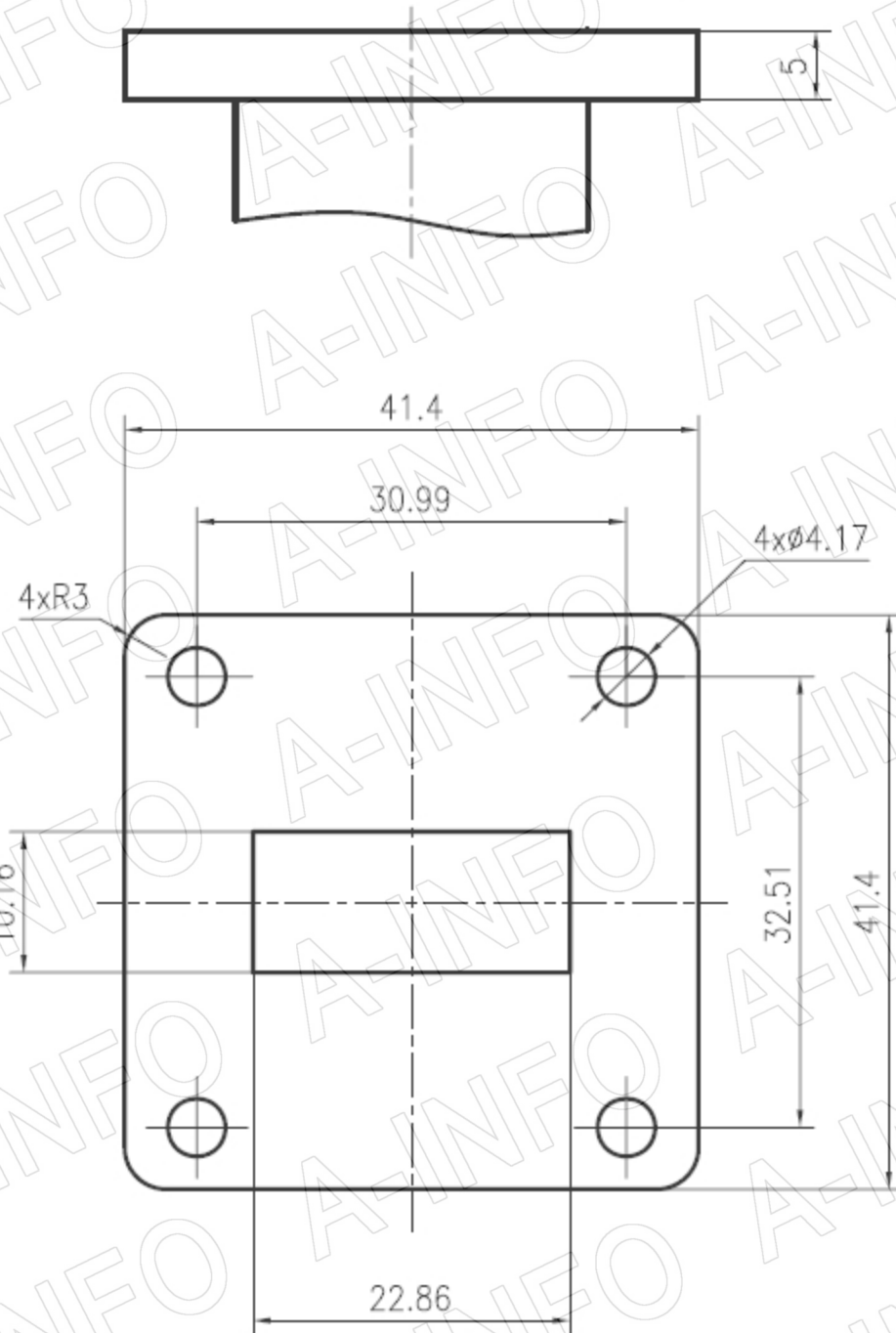


SMA-Female Output with L Type Mounting Bracket (Option, P/N: LB-CH-90-20-L)

For N-Female, 3.5mm-Female, TNC-Female or 7mm-Female output outline drawing, please contact A-INFO.



## Flange Drawing (Size: mm)



### FBP100

#### AINFO Inc.

China(Beijing): Tel: (+86) 10-6266-7326,  
China(Chengdu): Tel: (+86) 28-8519-2786,  
USA : Tel: (+1) 949-639-9688,

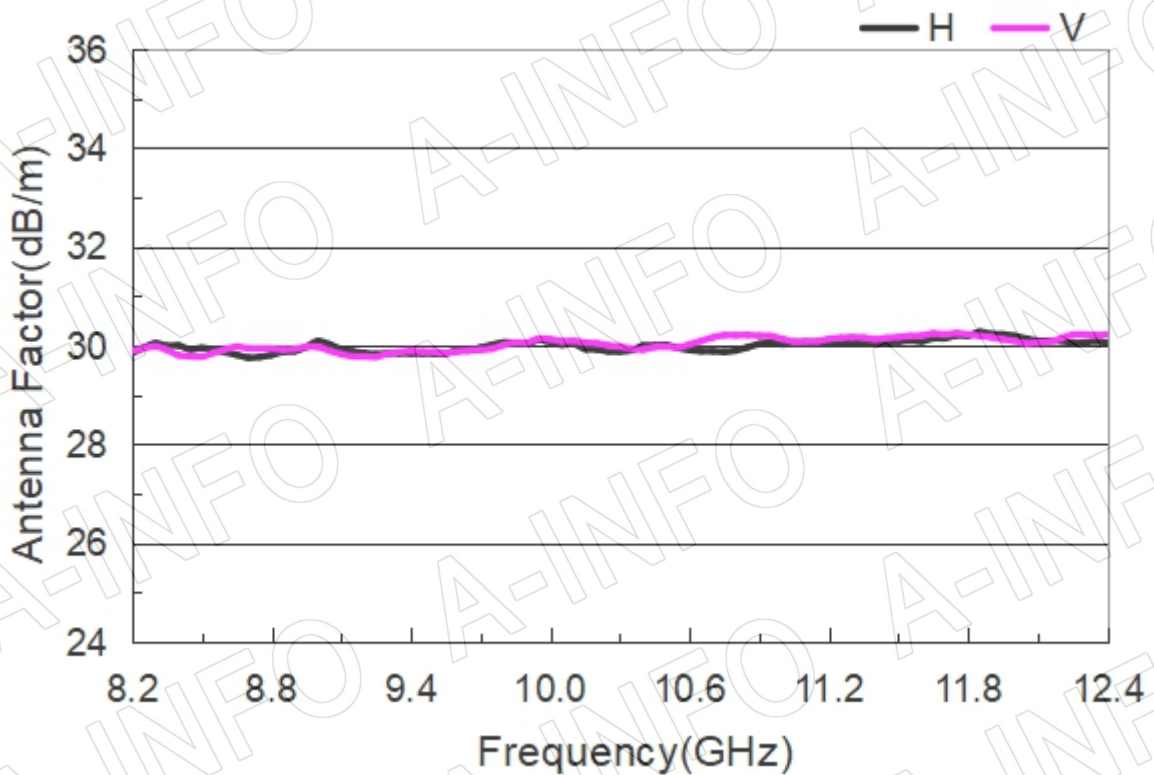
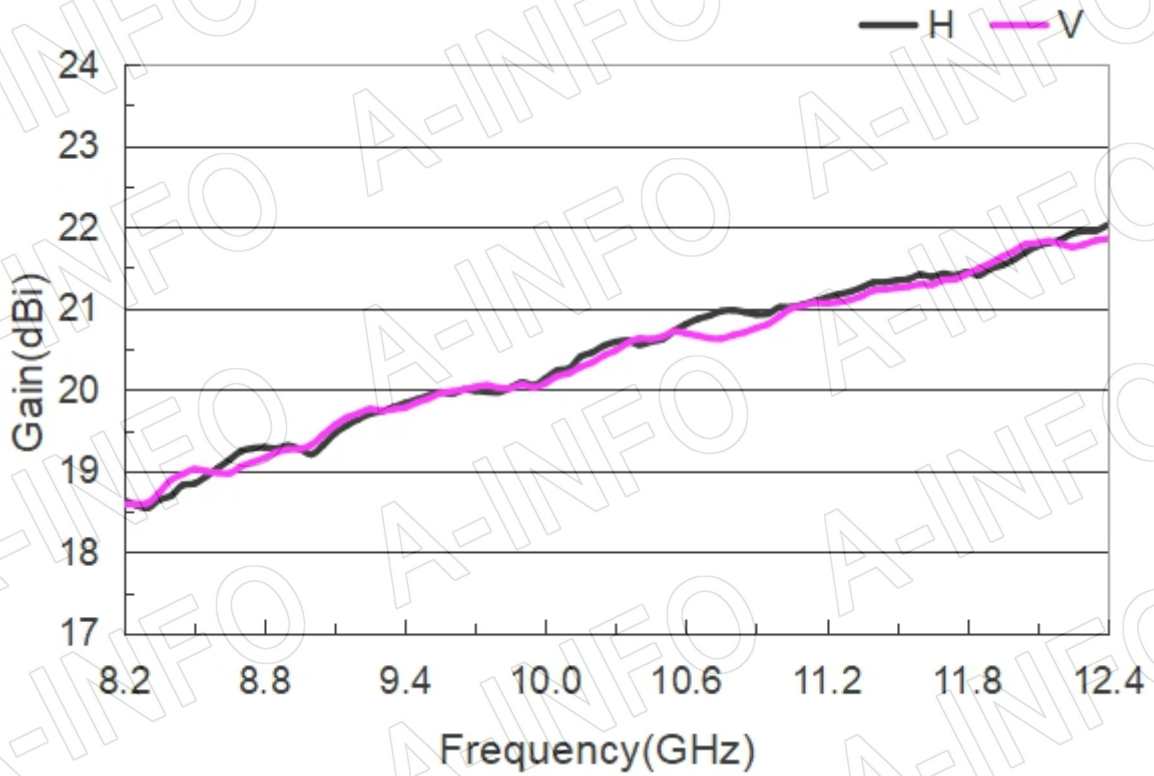
Page 4 of 10

(+86) 10-6266-7327 Fax: (+86) 10-6266-7379  
(+86) 28-8519-3044 Fax: (+86) 28-8519-3068  
(+1) 949-639-9608 Fax: (+1) 949-639-9670

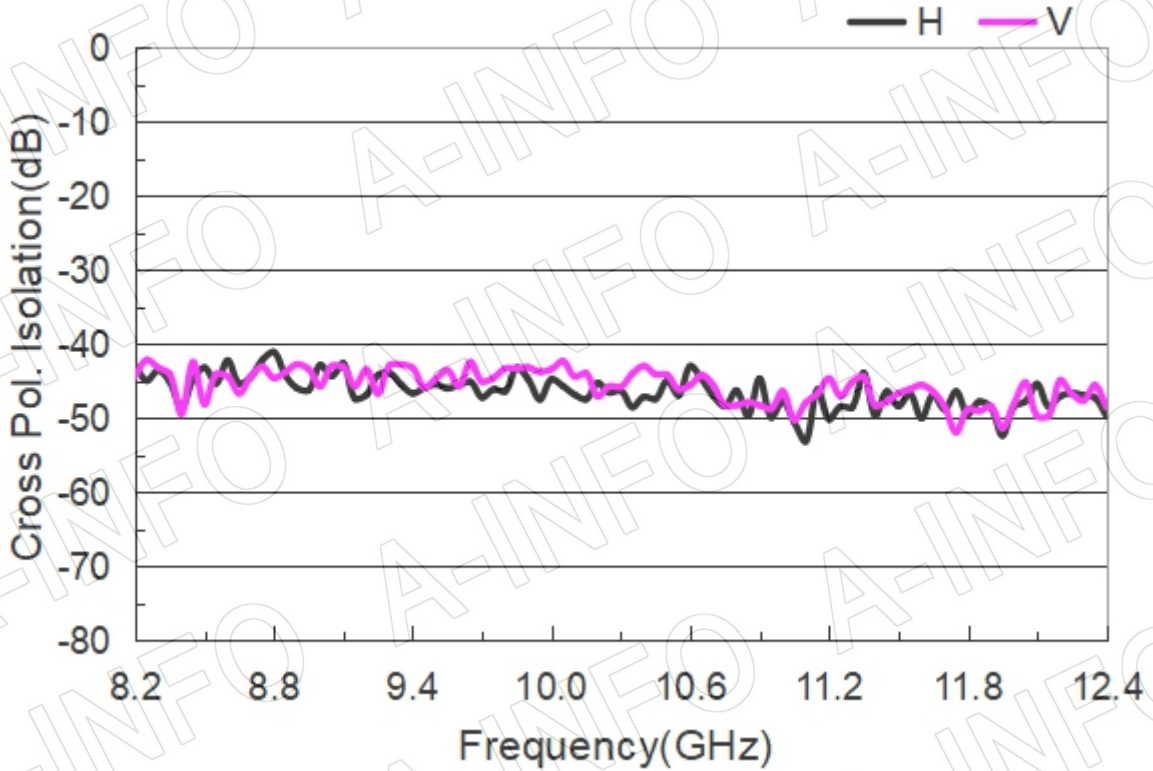
Website: [www.ainfoinc.com](http://www.ainfoinc.com)  
Email: [sales@ainfoinc.com](mailto:sales@ainfoinc.com)

## Test Results

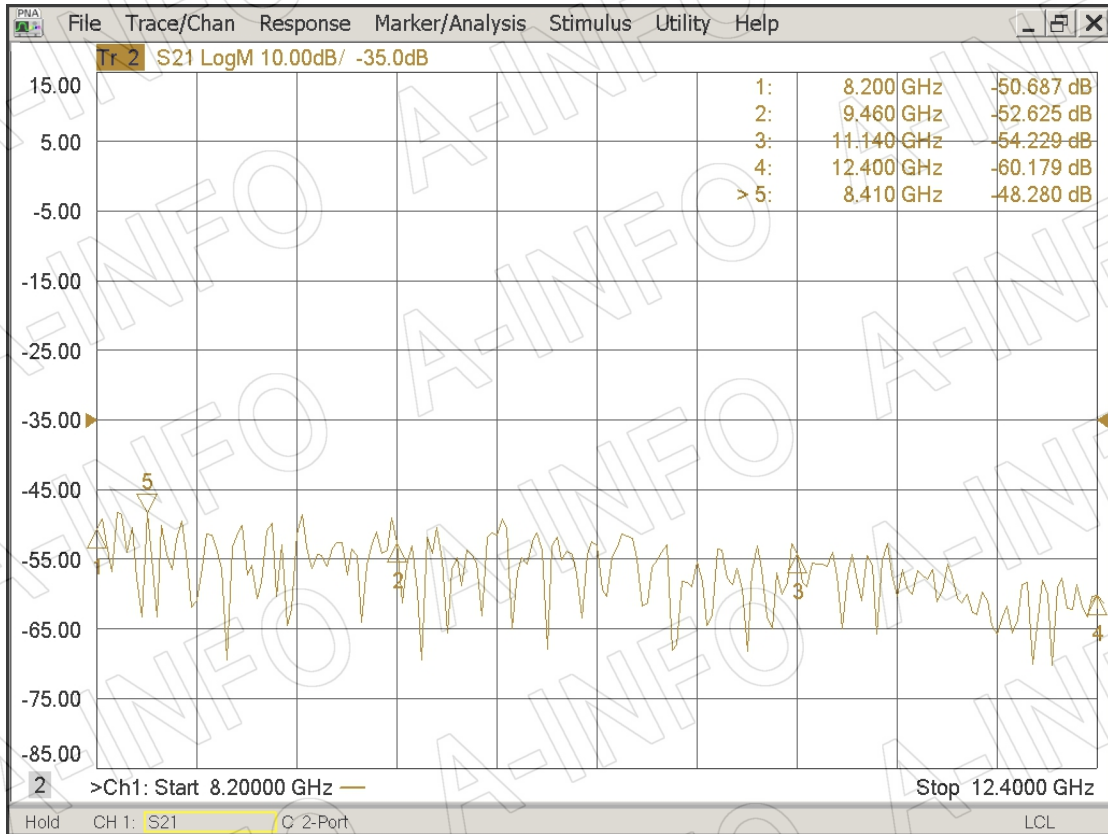
### 1. Gain & Antenna Factor



## 2. Cross Polarization Isolation

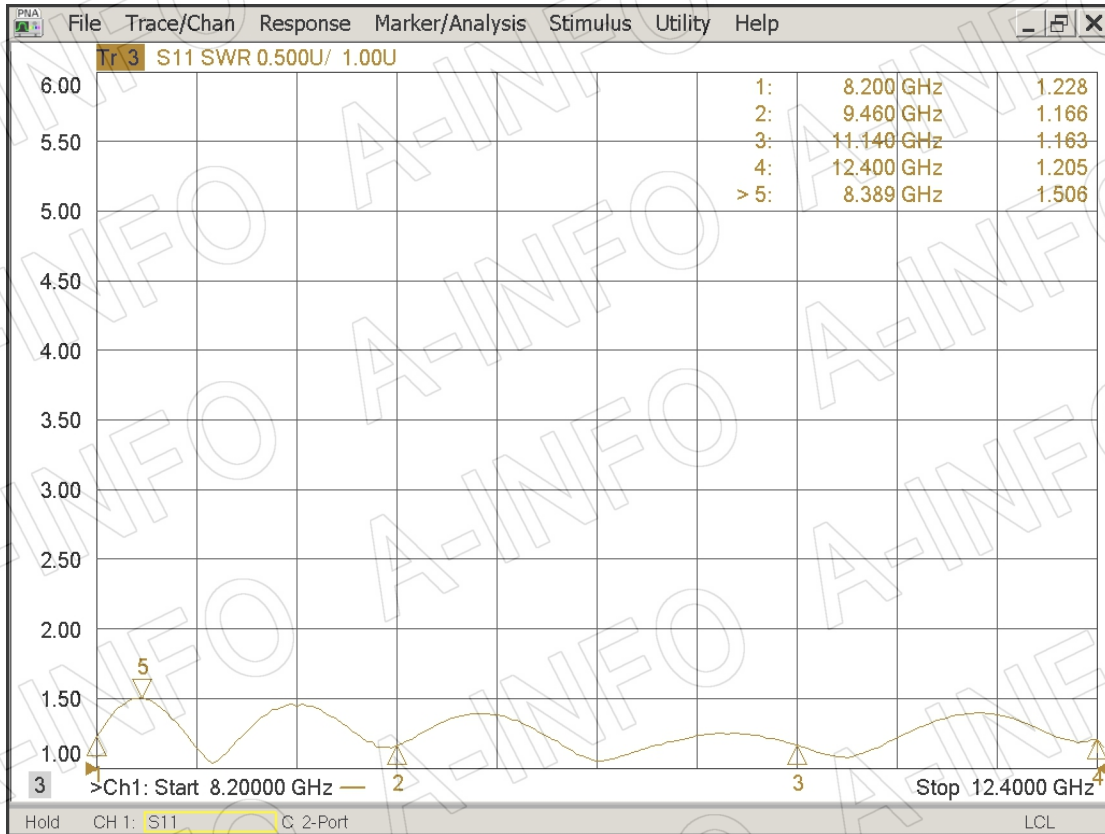


## 3. Port to Port Isolation

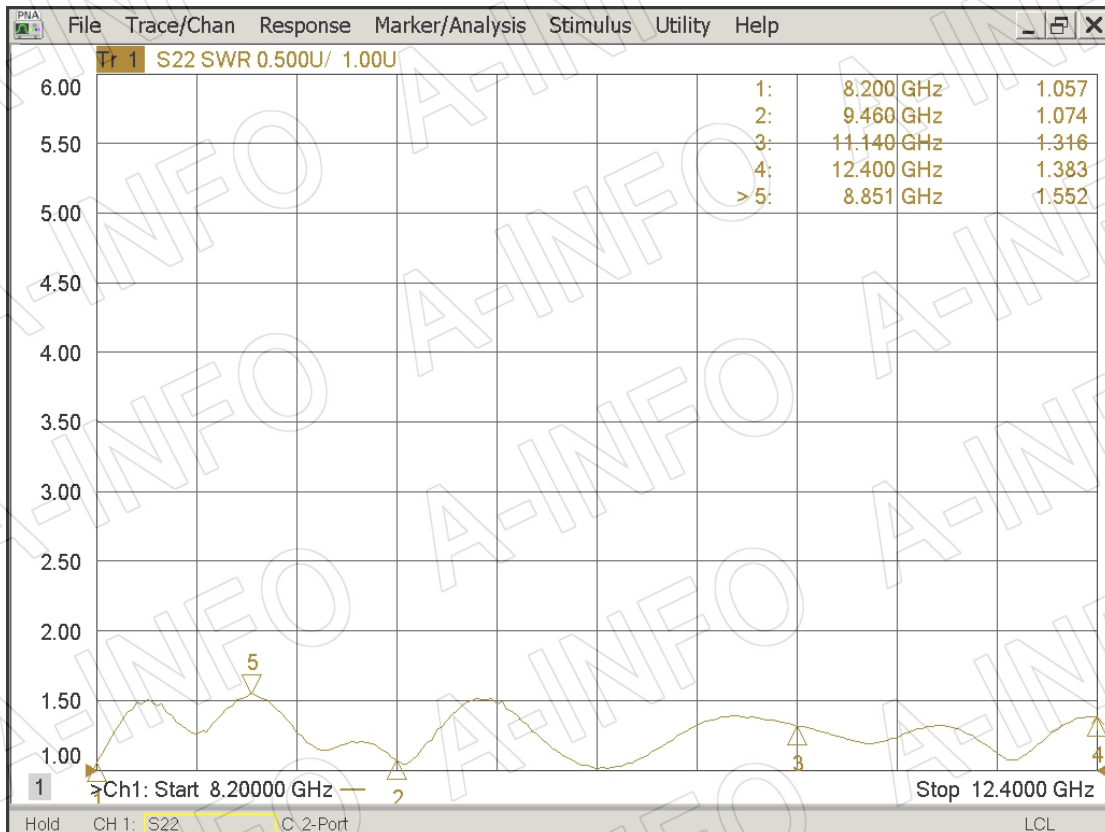


## 4. VSWR\_A Type

### Port-H

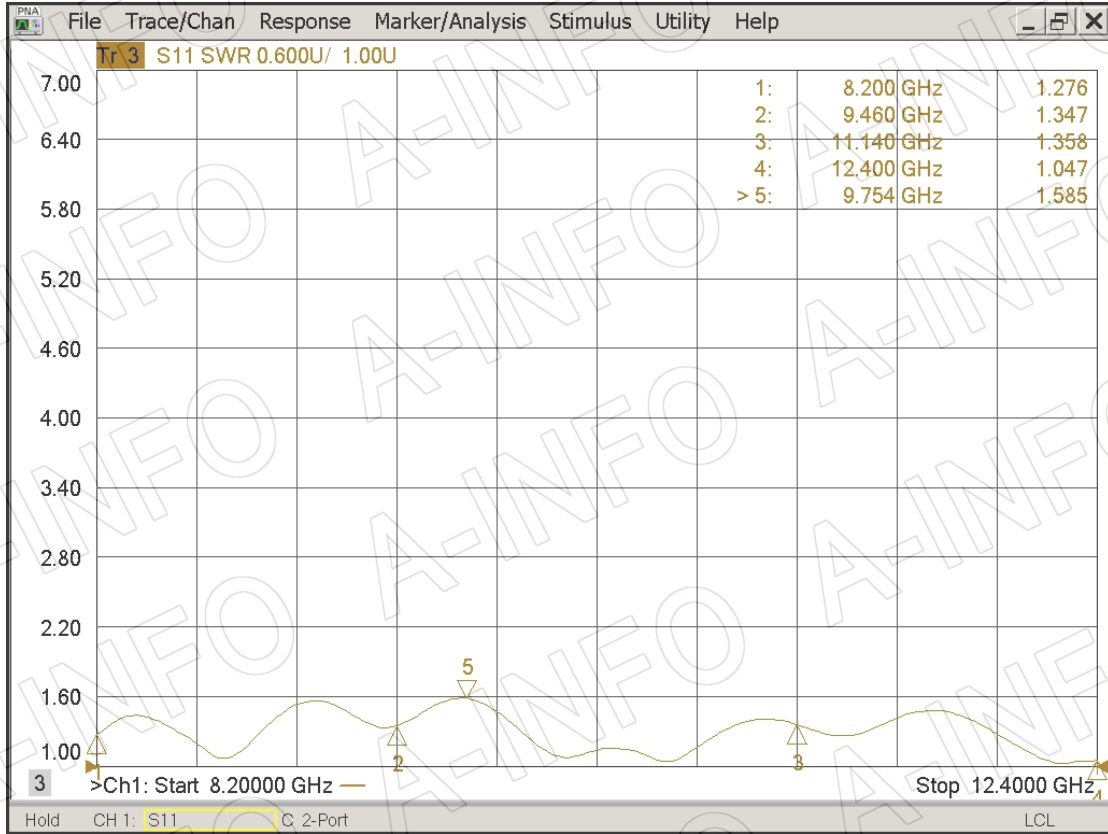


### Port-V

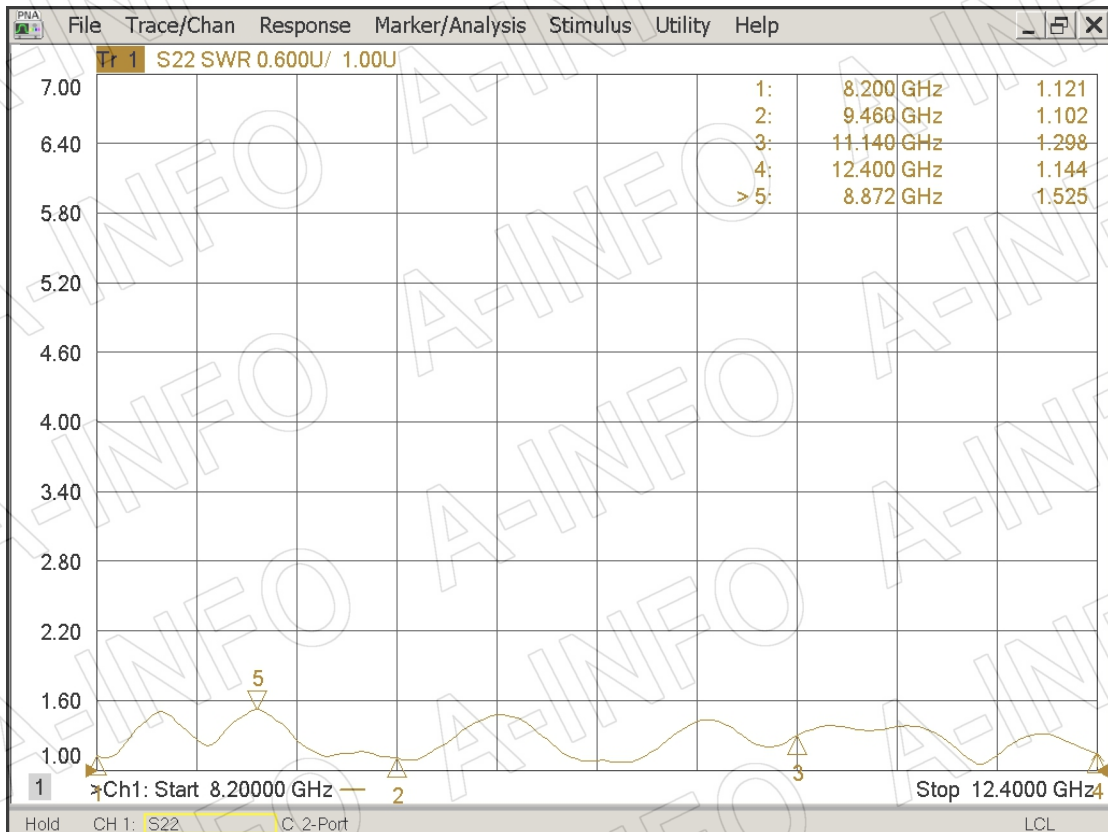


## VSWR\_C Type

### Port-H

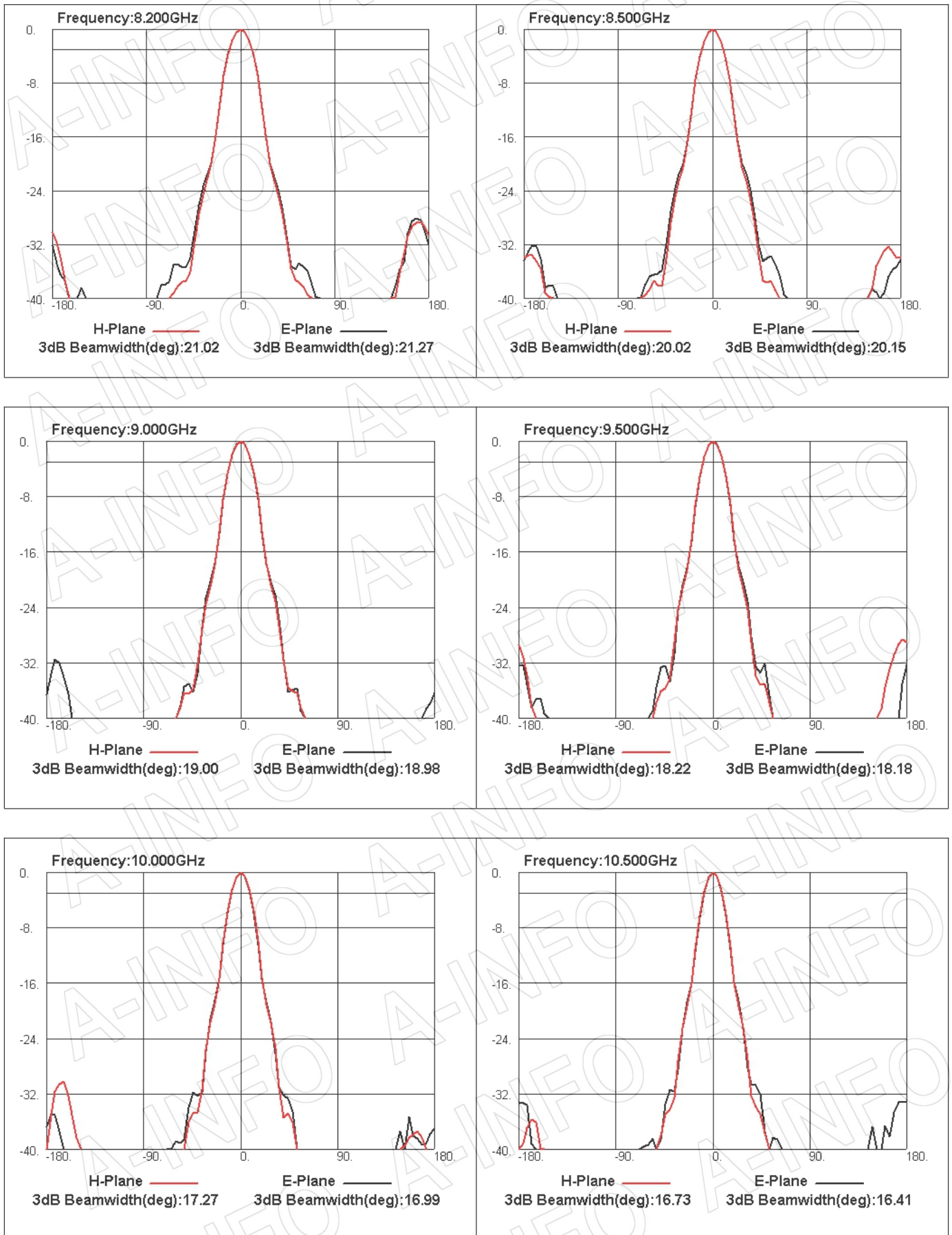


### Port-V





## 5. Pattern



**AINFO Inc.**

China(Beijing): Tel: (+86) 10-6266-7326,  
 China(Chengdu): Tel: (+86) 28-8519-2786,  
 USA: Tel: (+1) 949-639-9688,

Page 9 of 10

(+86) 10-6266-7327 Fax: (+86) 10-6266-7379  
 (+86) 28-8519-3044 Fax: (+86) 28-8519-3068  
 (+1) 949-639-9608 Fax: (+1) 949-639-9670

Website: [www.ainfoinc.com](http://www.ainfoinc.com)  
 Email: [sales@ainfoinc.com](mailto:sales@ainfoinc.com)

